

MERCEDES



ADRIAN STEEL®

Cargo Management Solutions for Commercial Vehicles

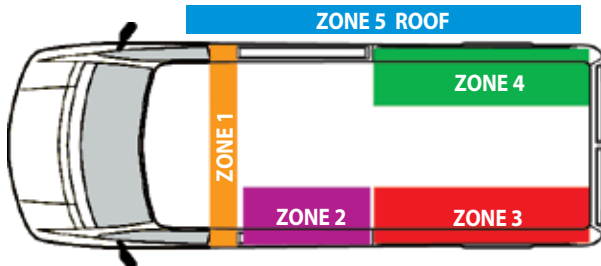


**SPRINTER & METRIS
PRODUCT CATALOG**

YOU HAVE COME TO THE RIGHT PLACE FOR ORGANIZING YOUR SPRINTER CARGO VAN.

Adrian Steel has all the storage products you will need, and the tools to put them all together to best utilize the space in your Sprinter. This catalog is set up to walk you through the product categories as you would add them into your vehicle. Follow these simple steps to create an interior that fits your needs:

MAKE YOUR VEHICLE WORK READY!



ZONE 1 PARTITION

- Choose partition style: solid, perforated, or with a hinged door.
- Determine Sprinter roof height.
- Add accessories on both cab and cargo side.
- I need:

ZONES 2, 3, 4 CURBSIDE & STREETSIDE

- Use layout diagrams to determine the amount of space available.
- Choose from a variety of shelving units and modules that will best organize the tools and equipment you need to carry.
- I need:

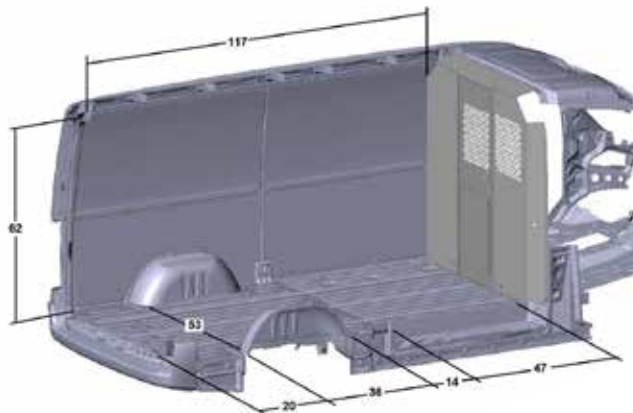
ADDITIONAL STORAGE

- Determine the space needed for specialty equipment: tank racks, lockers, reel holders, Floor Drawer floor drawers and more.
- Add accessories including door kits, drawers, hooks and more.
- I need:

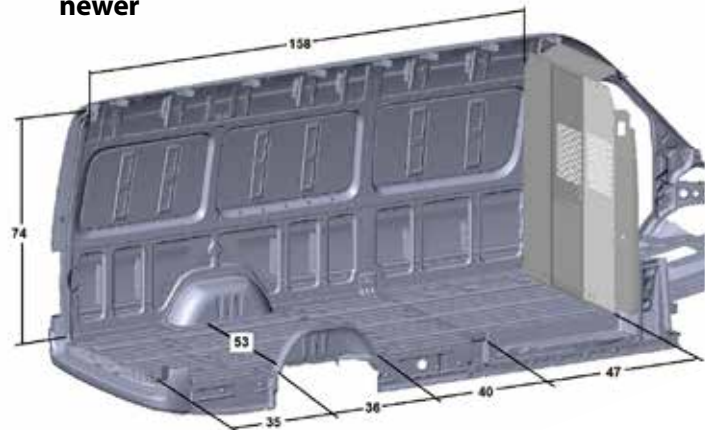
ZONE 5 ROOF

- Determine what will be carried: ladders, sheet goods, conduit, etc.
- Choose the LoadsRite for specifically carrying ladders or a Cargo Rack to carry a variety of cargo.
- Add rack accessories including step ladder kits, ratchet straps, conduit carriers and more.
- I need:

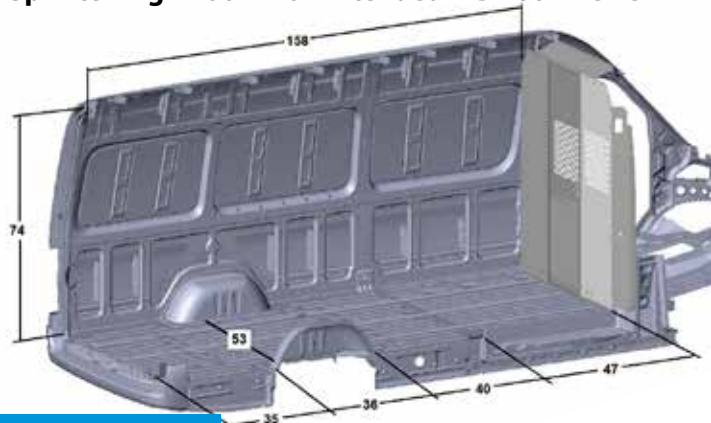
Sprinter Low Roof 144" WB 2007-newer



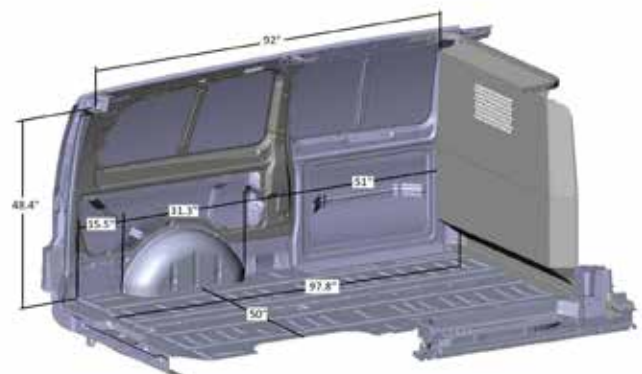
Sprinter High Roof 170" Extended WB 2007-newer



Sprinter High Roof 170" Extended WB 2007-newer



Metris 135" WB



PROTECTION FOR CARGO. PROTECTION FROM CARGO. Adrian partitions provide security from shifting loads. Choose a perforated partition for visibility or solid for better climate control. Solid and hinged door partitions are available.

Features & Benefits

- Built of strong, 16-gauge steel.
- Formed channels for extra strength.
- Steel-Cote™ diamond-hard finish resists scratches and dents.
- Perforated partition panels are strong and quiet.
- Includes all assembly and installation fasteners for base van trim level. Higher trim levels may require modifying trim or partition.
- Partition features lower access holes for electrical wiring.



PDK2
Steel Partition Door Kit
 converts fixed center panel partition into a hinged door with keyed handle.



P2MMS
Steel Partition w/ Visibility
 P2MMS 63" W x 13" D x 53" H Partition installs to factory attachments, no drilling or setting plusnuts required!

Need some help?
Contact your local distributor!
 They can provide a wealth of information about utilizing the cargo space in your work van. Find your local distributor online at adriansteel.com.

2007 AND NEWER SPRINTER VAN PARTITION PANEL STYLES

Please state Sprinter model, year and wheelbase when ordering. Vehicles must have OEM option D62 Pre-installation for bulkhead.

Model	Roof Type	Streetside		Center				Curbside
		Solid	Solid	Fixed	Hinged	Perforated	Solid	
				Fixed	Hinged	Fixed	Hinged	
S1M1C1SPS	standard	■	■					■
S1M2C2SPS	standard	■				■		
S1M2HC2SPS	standard	■					■	
S1M1C1SPH	high	■	■					■
S1M2C2SPH	high	■				■		
S1M2HC2SPH	high	■					■	
PA5-2SPR Plexiglas Cover Panel						■	■	
P2MMS	Metris	■				■		■

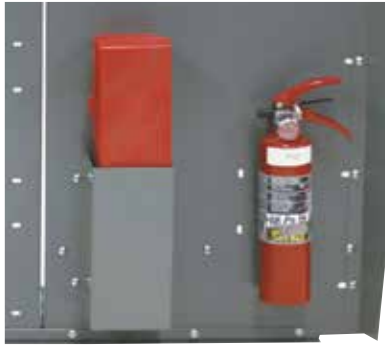
Please note: Contact Adrian Steel for 2006 and older Sprinter partitions. 170" interior installed in a Mega High roof Sprinter will require OEM partition.

All illustrations, photos and specifications in this publication are based on the latest product information available at the time of content approval.

The right is reserved to make changes at any time, without notice, in materials, specifications and models, and also to discontinue models.

Adrian's accessories allow you to fully utilize your partition space for storage and organization.

These accessories will make locating your equipment easier with practical item storage for required safety equipment and/or everyday materials. Take advantage of your partition space for a more efficient upfit solution!



Vehicle Safety

PA7 Reflector Kit w/ Bracket

PA8 1-A:10-BC Fire Extinguisher



PA9 First Aid Tray secures first aid box to partition or other vertical surface.

Overall size: 11"W, 4.5"H, 3-1/8"D.



Tank Holders

TH30 Tank Holder 30 lb

TH50 Tank Holder 50 lb.



TA1 4-Hook Bar

2" X 12" with 2" hanger opening. Mounts to any vertical surface



PA10 File Holder

Partition mounted holder for forms, manuals or work related papers

Overall size: 12" W, 7" H, 5" D.



BH4 4-Slot Literature Rack

Designed to mount on partition or almost any vertical surface. Excellent for binders. Each pocket is 2 1/2" deep.

Overall size: 12-3/4" W, 19-1/2" H, 2-1/2" D.

MAXIMIZE STORAGE IN YOUR SPRINTER VAN! A great way to show your professionalism is to have an organized van. Get everything off the floor and in it's place with storage modules and accessories from Adrian Steel. Designed to accommodate a variety of items, with a combination of shelving, drawers, cabinets, files and more.

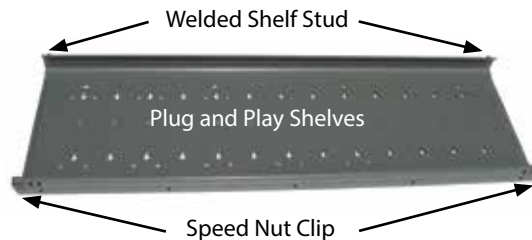
Modules come complete with installation instructions and fasteners. Some drilling is required. Installation should always be made to a body frame member or reinforcement to the body for secure attachment.



HD-SWP Series Adjustable Shelving
 Contains a 12" deep top tray with a 2" lip, one 14" deep shelf with a 2" lip, and two 14" deep shelves with a 4" lip. Contoured end panels provide flush fit to van side to maximize aisle space. Shelf gussets and a full floor rail provide extra strength.
 Available in three widths:
 HD-32SWP 32" W, 56" H, 12 $\frac{1}{2}$ "/14" D
 HD-42SWP 42" W, 56" H, 12 $\frac{1}{2}$ "/14" D
 HD-52SWP 52" W, 56" H, 12 $\frac{1}{2}$ "/14" D

THE NEXT GENERATION OF CARGO MANAGEMENT SOLUTIONS

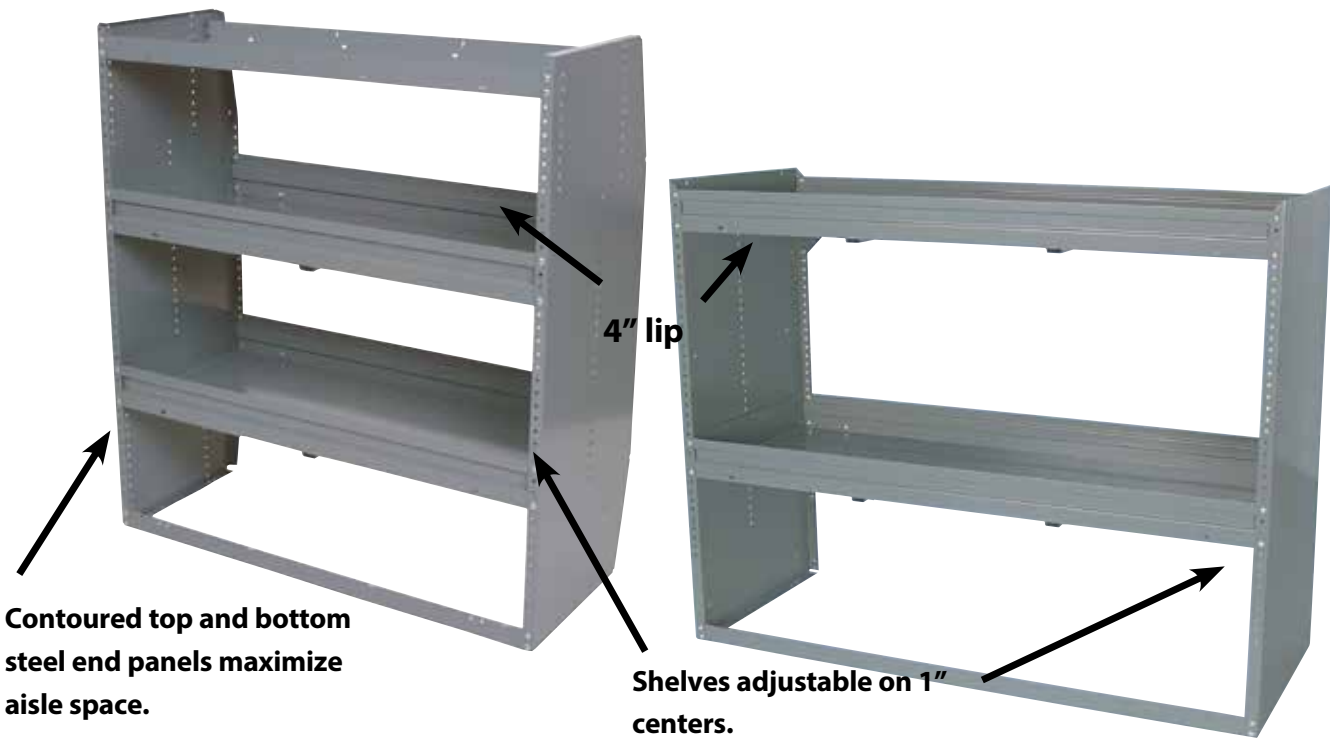
Tools, equipment and cargo come in all shapes and sizes and until now, there hasn't been a shelving unit that is **truly adjustable**. The ADseries is the first of it's kind where, with only a screwdriver, you can simply remove the front shelf bolts and move the shelf where you need it. Shelves can be adjusted in one inch increments and provide the most flexible shelving solution available.



MODEL	SIZE	DESCRIPTION
AD32FP	32"W x 46"H x 14"D	fits low roof Transit
AD44FP	44"W x 46"H x 14"D	fits low roof Transit
RKMM		Mounting Rail Kit

TRULY ADJUSTABLE SHELVES

All you need is a phillips head screwdriver! The unique shelf design features rear shelf studs that lock the shelves in place and speed nut clips that allow you to attach bolt on easily! Simply remove two bolts from the speed nut clips at the front lip of the shelf, tilt the shelf upwards to disengage the rear studs, move the shelf to your desired location, insert the rear shelf studs, reattach the bolts and you're done!



Contoured top and bottom steel end panels maximize aisle space.

4" lip

Shelves adjustable on 1" centers.

JD SERIES JUMBO DEEP SHELVING

- Available in 18" and 24" depths.
 - Shelf gussets and floor rail provide extra strength.
 - 18" deep units contain one 14" and two 18" deep shelves.
 - 24" deep units have squared end panels and two shelves.
- See chart.

MODEL	OVERALL SIZE	OPEN SHELF SPACE
JD42FP	42"W x 46"H x 18"D	14.58 sq ft
JD52FP	52"W x 46"H x 18"D	18.56 sq ft
JD48FP	48"W x 48"H x 24"D	20.21 sq ft
JD60FP	60"W x 48"H x 24"D	20 sq ft

Drawer Units –Lock ‘n Latch System

18"W x 12"H x 12"L steel cabinet with composite drawers. New drawer glides for better operation.

Model	Desc. & Drawer Size (Qty.)
19	2-Drawer Unit w/ Lock (2)
919	3-Drawer Unit w/ Lock
9	4-Drawer Unit w/ Lock (4)



NEW & IMPROVED!



Drawer Units Locking Hinge & Hasp

#2 measures 18"W x 24"H x 18"L
#8 measures 18"W x 18"H x 12"L

Model	Desc. & Drawer Size (Qty.)
8	3-Drawer Unit (3)
2	4-Drawer Unit (4)
26	Drawer Divider Assembly (1)

Drawer Components

High-impact polymer construction with drawer retention stops.

Model	Desc. & Cabinet Size
DC6	3-Drawer Unit
DC12	3-Drawer Unit

Interlocking feature allows up to 2 units stacked vertically or multiple units horizontally. 5lb. weight capacity per drawer.



Shelf Cabinets can be used free standing or are perfect for stacking with our lockable drawer units.

Model	Description & Cabinet Size
1	Adjustable Single Shelf Cabinet w/Lock
12	Adjustable Single Shelf Cabinet w/Lock
1A	Cabinet Shelf
12A	Cabinet End Panel



Cabinet Lockers

Lockers feature a 46" high storage space with removable shelves.

Model	Description & Cabinet Size
CL1446R	Adjustable 3-Shelf Cabinet w/ Lock

REEL HOLDERS



WRH5 5-Bar Spool Holder Five removable bars hold wire spools up to 6" in diameter. Reel Holder mounts to shelf ends or any vertical surface. Overall size: 12" W, 25" H, 4" D



1

1: CB5 5-Slot Literature Rack Mount on partition or other vertical surface. 2-1/2" deep pockets. 12"W, 24"H, 2-1/2"D.



2

2: 43 3-Shelf Literature Rack Fits in narrow spaces. It has three tilted shelves. Perfect for binders and catalogs. 6" W, 34" H, 12" D.



3

3: CB7 7-Slot Literature Rack Mount on partition or other vertical surface. 6-3/4" deep pockets. 14-3/4"W, 28-7/8"H, 7"D.



PPCS

PPCL

LARGE PORTABLE PARTS CASES

Versatile, lightweight, durable, convenient and mobile - these **Portable Parts Cases** are perfect for the tech who needs to carry small parts and inventory to the jobsite.

The impact resistant body can be organized with the included adjustable dividers. The see-through lids with snap latches make identifying contents easy.

PPCS 14" x 14" x 3.75"

PPCL 14" x 14" x 6.25"



CHPPC5SM
16.5" x 14" x 35"

Case Holder options give you the ability to house multiple Portable Parts Cases near the vehicle door for easy access to grab-and-go. **CHPPC5SM** include a tray that holds an optional first aid kit and feature slanted shelves.

Aluminum Lock Box

- Stores valuable tools and paperwork.
- Gas shock opens and closes the large lid.
- The large lock will accommodate a padlock or hockey puck style lock (not included.)
- Designed to mount on the van floor facing out the side or rear doors.
- Aluminum construction with powder coat black paint.



WTR430

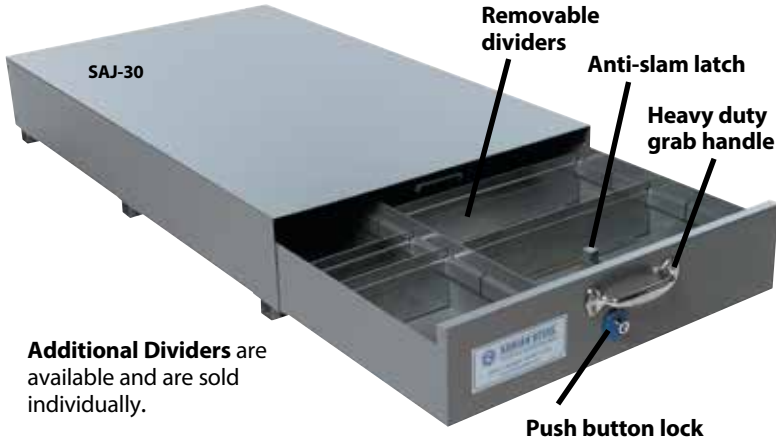


WTR130250

Tank Racks vertically carry 30-lb. and 50-lb. Refrigerant tanks. Racks feature 14-gauge tubular steel frames welded for strength with sloped cradles and nylon straps.

Model	Description
WTR130250	(1) 30 lb & (2) 50 lb tanks
WTR330	(3) 30 lb tanks
WTR430	(4) 30 lb tanks

ADRIAN'S FLOOR DRAWER IS THE FINEST FLOOR STORAGE UNIT YOU CAN BUY.



- 14 Gauge steel outer cabinets are constructed with top channel cross support members for strength and rigidity.
- Drawers are constructed with double side-walls to prevent bowing and to accommodate items up to 48" in length.
- The anti-slam latch stops drawers from completely closing without positive latch activation.
- Heavy-duty grab handle and push button lock allows for comfortable, one-handed drawer operation.
- Durable powder coat finish will provide years of rugged service.
- Easy glide drawers with full width recessed conveyor roller at front and hardened steel roller bearings at rear.
- Install at rear or side doors, and units can be stacked.



Additional Dividers are available and are sold individually.



SA-10



SA-20



SA-40

Floor Drawer DEEP SERIES

Model	Description	Cabinet Size	Drawer Size	Divider (Qty.)
SA-10	Single Compartment Floor Drawer	10"W x 12"H x 51-1/2"D	9-5/8"W x 8-1/2"H x 48-1/2"D	DV9(5)
SA-20	Single Compartment Floor Drawer	20"W x 12"H x 51-1/2"D	19-5/8"W x 8-1/2"H x 48-1/2"D	DV19(5)
SA-40	Triple Compartment Floor Drawer	40"W x 12"H x 51-1/2"D	9-5/8"W x 8-1/2"H x 48-1/2"D (2) 19-5/8"W x 8-1/2"H x 48-1/2"D	DV9(10) DV19(5)



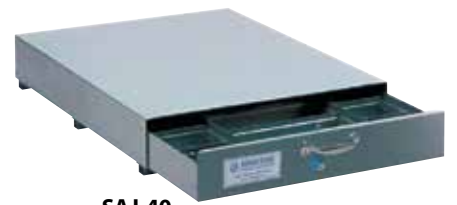
SAJ-10



SAJ-20



SAJ-30



SAJ-40

Floor Drawer SHALLOW SERIES Floor Drawer quality in a lower profile

Model	Description	Cabinet Size	Drawer Size	Divider (Qty.)
SAJ-10	Single Compartment Floor Drawer	10"W x 8-1/2"H x 51-1/2"D	9-5/8"W x 5-1/4"H x 48-1/2"D	DVJ9(5)
SAJ-20	Single Compartment Floor Drawer	20"W x 8-1/2"H x 51-1/2"D	19-5/8"W x 5-1/4"H x 48-1/2"D	DVJ19(5)
SAJ-30	Double Compartment Floor Drawer	30"W x 8-1/2"H x 51-1/2"D	9-5/8"W x 5-1/4"H x 48-1/2"D 19-5/8"W x 5-1/4"H x 48-1/2"D	DVJ9(5) DVJ19(5)
SAJ-40	Triple Compartment Floor Drawer	40"W x 8-1/2"H x 51-1/2"D	9-5/8"W x 5-1/4"H x 48-1/2"D (2) 19-5/8"W x 5-1/4"H x 48-1/2"D	DVJ9(10) DVJ19(5)

GRIP LOCK Ladder Rack

Single Grip Lock Ladder Rack for Mercedes Metris Vans. Aluminum construction with plastic and plastisol ladder contact surfaces to protect fiberglass ladders. This Rack can carry 28' Extension Ladders : check your local regulations regarding rear overhanging loads.

NOTE : Vehicle Roof Load Rating is 330 Lbs. Max.

Catalog #	Description
2BMM	2-Bar Utility Rack
61-MM	Single grip Lock ladder rack
63-MM	Double Grip Lock Ladder Rack
1BMMGL	Center Cross Bow Kit
69-TCL14	Extension kit (28' ladders, requires 1BMMGL)
61TCSSUR	Utility Rack Add-On Kit



61-MM Single Grip Lock Ladder Rack

Utility Rack (not shown)

This lightweight and adjustable Utility Rack for the Metris features an aluminum construction with composite surfaces to prevent damage to ladders or cargo. Can carry up to a 24 ft. long extension ladder or up to 125 pounds. Measures 63"W, 77.5"D, 11"H. No-drill installation.

Order 1BPMCGL Center Cross Bow Kit for carrying short ladders or cargo.

63-MM Double Grip Lock Ladder Rack
1BMMGL Center Cross Bow Kit



FINALLY!

A LADDER RACK DESIGNED AROUND YOU... NOT YOUR VEHICLE.

Introducing the All-New Drop-Down Ladder Rack from Adrian Steel!



Our most user friendly ladder rack ever! Featuring the patent pending twist to adjust! The fastest way to adjust your rack to your ladder! The outboard design and two stage drop brings ladder down to an ergonomic load position where operators 5' 4" or taller can safely load and unload the ladder. The aluminum build of the rack reduces corrosion and keeps your ladder rack looking like new. Adrian Steel's Drop-Down Ladder Rack will accommodate a variety of ladders and safely secure them for transport.



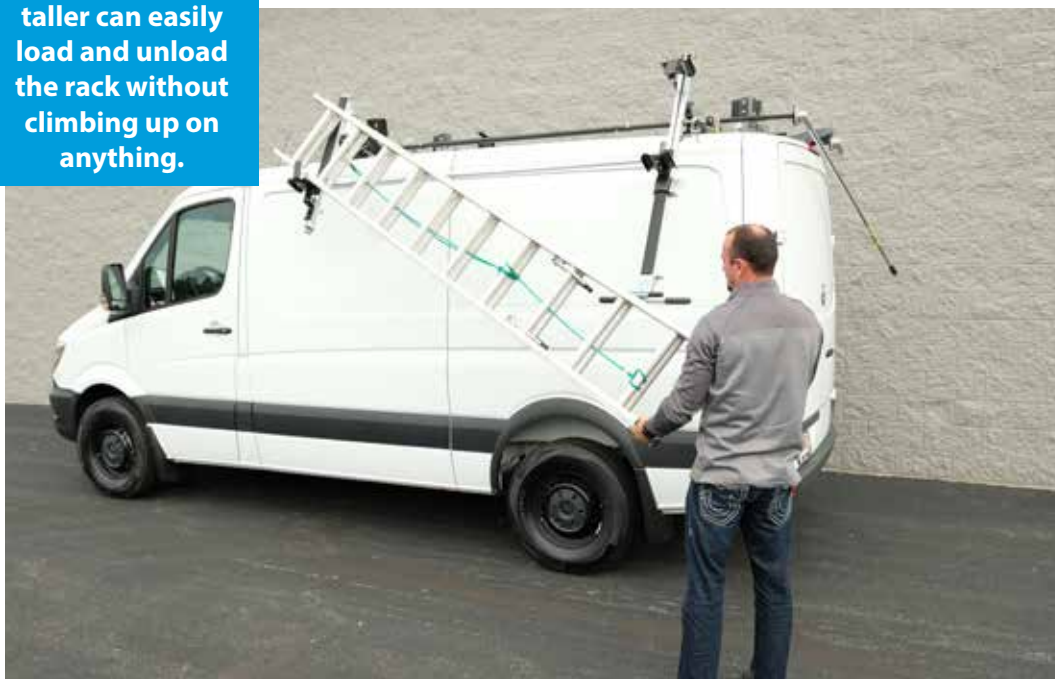
EXCLUSIVE!

With the turn of a knob, you can quickly adjust the rack to fit a wide variety of ladders.

- DDL61SPL** - Passenger Side Drop Down Ladder Rack
- DDL63SPL** - Dual-Sided Drop Down Ladder Rack
- DDLRSLK** - Drop Down Ladder Rack Step Ladder Kit
- 69-DDCS** - Passenger Side Ladder Rack Extension Kit, 32ft.
- 69-DDSS** - Driver Side Ladder Rack Extension Kit, 32ft.
- 70-1LR** - Conduit Kit w/ Round End Caps, 4"
- 70-2LR** - Conduit Kit w/ Round End Caps, 6"

Technicians that are 5'-4" or taller can easily load and unload the rack without climbing up on anything.

- 80-1LR** - Aluminium Conduit Kit, 10'6"
- 80-2LR** - Aluminium Conduit Kit, 12'6"

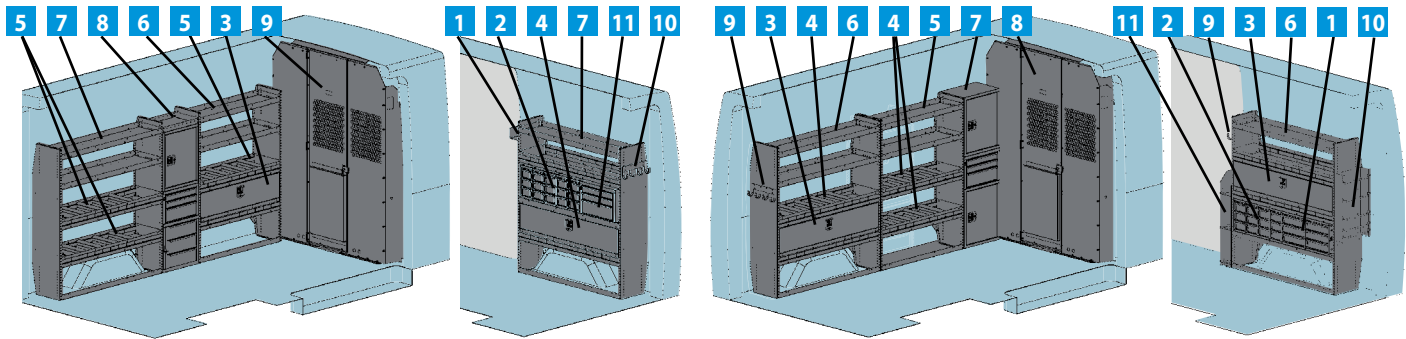


We know different jobs require different ladders. The new Drop-Down ladder rack safely transports all different types of ladders. Extension ladders, step ladders and specialty ladders. Standard rack accommodates 28' extension ladder and 10' step ladder – short step ladders will need optional step ladder kit and up to 32' extension ladder with extension ladder kit.

See it in action on AdrianSteel.com

DON'T LET ALL THAT SPACE INSIDE YOUR SPRINTER CARGO VAN INTIMIDATE YOU. ORGANIZE IT WITH ADRIAN STEEL!

If you just don't know where to start, turn to Adrian for ideas on how to best maximize that precious space inside your Sprinter Van. Trade packages are designed for several different vocations with trade specific equipment like tank racks and small parts storage. If you don't see exactly what you are looking for, that's ok! Trade packages are thought starters, designed to give you ideas to run with as you combine the Adrian shelving, cabinets, drawers and modules to fit your specific needs.



144" SPRINTER GENERAL SERVICE STARTER PACKAGE

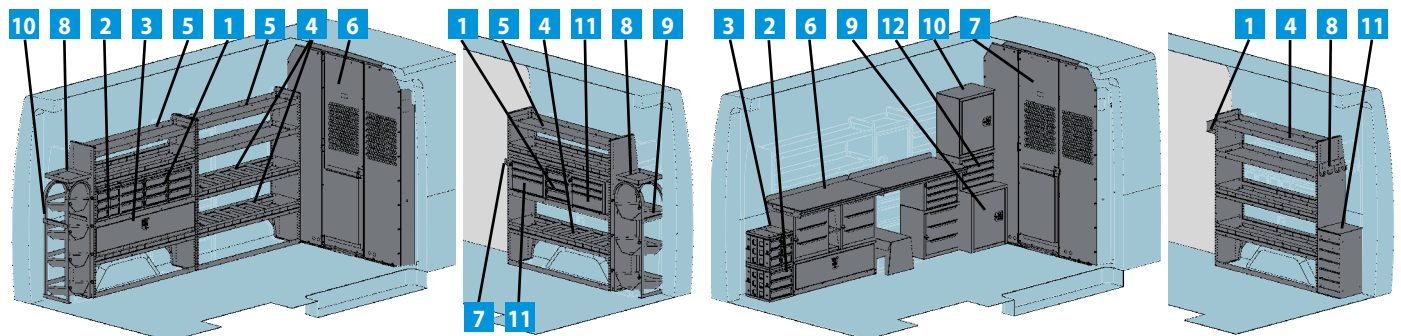
4013H High Roof Package
4013S Standard Roof Package

Item	Model	Description	Qty.
1	ACT3	3-Place Aerosol Can Holder	1
2	DC6	3-Drawer Unit	5
3	DK542	Door Kit w/ Back Panel	1
4	DK552	Door Kit w/ Back Panel	1
5	DV14	Shelf Divider	12
6	HD-42SWP	4-Shelf Unit	1
7	HD-52SWP	4-Shelf Unit	2
8	MD603	Cabinet & Drawer Module	1
9	S1M2HC2	Partition/07/Sprinter	1
10	TA1	4-Hook Bar	1
11	919	3-Drawer Unit w/ Lock	1

144" SPRINTER ELECTRICAL STARTER PACKAGE

4014H High Roof Package
4014S Standard Roof Package

Item	Model	Description	Qty.
1	DC12	3-Drawer Unit	2
2	DC6	3-Drawer Unit	4
3	DK552	Door Kit w/ Back Panel	2
4	DV14	Shelf Divider	12
5	HD-42SWP	4-Shelf Unit	1
6	HD-52SWP	4-Shelf Unit	2
7	MD601	Cabinet & Drawer Module	1
8	S1M2HC2	Partition/07/Sprinter	1
9	TA1	4-Hook Bar	2
10	WRH5	5-Bar Spool Holder	1
11	43	3-Shelf Literature Rack	1



144" SPRINTER HVAC STARTER PACKAGE

4015H High Roof Package
4015S Standard Roof Package

Item	Model	Description	Qty.
1	DC12	3-Drawer Unit	4
2	DC6	3-Drawer Unit	2
3	DK552	Door Kit w/ Back Panel	1
4	DV14	Shelf Divider	12
5	HD-52SWP	4-Shelf Unit	3
6	S1M2HC2	Partition/07/Sprinter	1
7	TA1	4-Hook Bar	1
8	WTRTRAY	Welded Tank Rack Shelf Kit	2
9	WTR350	Welded Tank Rack	1
10	WTR430	Welded Tank Rack	1
11	919	3-Drawer Unit w/ Lock	2

144" SPRINTER LOCKSMITH STARTER PACKAGE

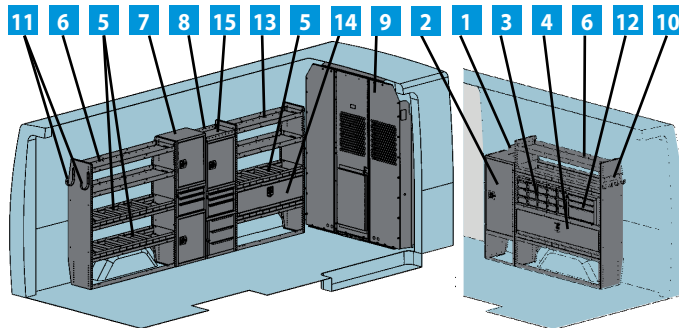
4016H High Roof Package
4016S Standard Roof Package

Item	Model	Description	Qty.
1	ACT3	3-Place Aerosol Can Holder	1
2	DC12	3-Drawer Unit	1
3	DC6	3-Drawer Unit	2
4	HD-52SWP	4-Shelf Unit	1
5	KMB36	Key Machine Base	1
6	MD610	Workbench Module	1
7	S1M2HC2	Partition/07/Sprinter	1
8	TA1	4-Hook Bar	1
9	1	Adjustable Single Shelf Cabinet w/Lock	1
10	12	Adjustable Single Shelf Cabinet w/Lock	1
11	17A	6-Shelf Catalog File	1
12	9	4-Drawer Unit w/ Lock	1
13	12A	Cabinet End Panel	1

Note: Illustrations and descriptions are for 2007 and newer Sprinter vehicles. Call Adrian Steel for package information for 2006 and older Sprinter vehicles.

DON'T LET ALL THAT SPACE INSIDE YOUR SPRINTER INTIMIDATE YOU. ORGANIZE IT WITH ADRIAN STEEL!

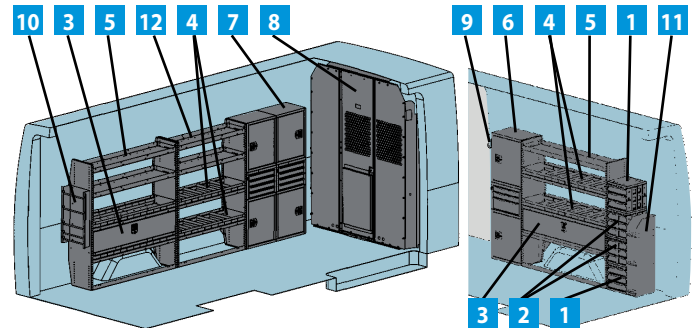
If you just don't know where to start, turn to Adrian for ideas on how to best maximize that precious space inside your Sprinter Van. Trade packages are designed for several different vocations with trade specific equipment like tank racks and small parts storage. If you don't see exactly what you are looking for, that's ok! Trade packages are thought starters, designed to give you ideas to run with as you combine the Adrian shelving, cabinets, drawers and modules to fit your specific needs.



170" SPRINTER GENERAL SERVICE STARTER PACKAGE

4001H High Roof Package

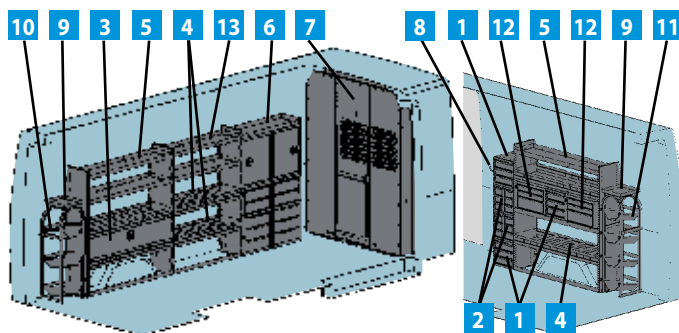
Item	Model	Description	Qty.
1	ACT3	3-Place Aerosol Can Holder	1
2	CL1446D	Adjustable 3-Shelf Cabinet w/ Lock	1
3	DC6	3-Drawer Unit	5
4	DK552	Door Kit w/ Back Panel	1
5	DV14	Shelf Divider	12
6	HD-52SWP	4-Shelf Unit	2
7	MD601	Cabinet & Drawer Module	1
8	MD603	Cabinet & Drawer Module	1
9	S1M2HC2	Partition/07/Sprinter	1
10	TA1	4-Hook Bar	1
11	UH50	Utility Hook	2
12	919	3-Drawer Unit w/ Lock	1
13	HD-42SWP	4-Shelf Unit	1
14	DK542	Door Kit w/ Back Panel	1
15	4B	Parts Tray	1



170" SPRINTER ELECTRICAL STARTER PACKAGE

4002H High Roof Package

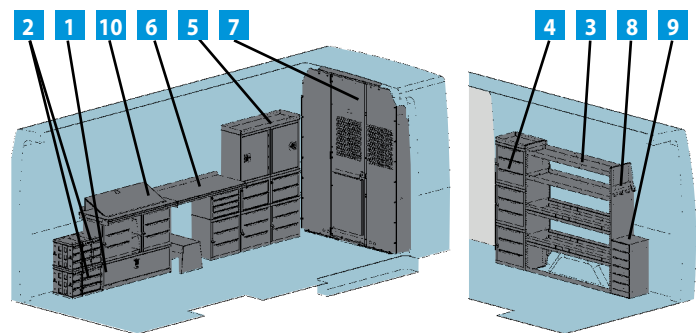
Item	Model	Description	Qty.
1	DC12	3-Drawer Unit	2
2	DC6	3-Drawer Unit	4
3	DK552	Door Kit w/ Back Panel	2
4	DV14	Shelf Divider	16
5	HD-52SWP	4-Shelf Unit	2
6	MD601	Cabinet & Drawer Module	1
7	MD604	Cabinet & Drawer Module	1
8	S1M2HC2	Partition/07/Sprinter	1
9	TA1	4-Hook Bar	1
10	WRH5	5-Bar Spool Holder	1
11	43	3-Shelf Literature Rack	1
12	HD-42SWP	4-Shelf Unit	1



170" SPRINTER HVAC STARTER PACKAGE

4003H High Roof Package

Item	Model	Description	Qty.
1	DC12	3-Drawer Unit	3
2	DC6	3-Drawer Unit	4
3	DK552	Door Kit w/ Back Panel	1
4	DV14	Shelf Divider	12
5	HD-52SWP	4-Shelf Unit	2
6	MD605	Cabinet & Drawer Module	1
7	S1M2HC2	Partition/07/Sprinter	1
8	TA1	4-Hook Bar	1
9	WTRTRAY	Welded Tank Rack Shelf Kit	2
10	WTR350	Welded Tank Rack	1
11	WTR430	Welded Tank Rack	1
12	919	3-Drawer Unit w/ Lock	2
13	HD-42SWP	4-Shelf Unit	1

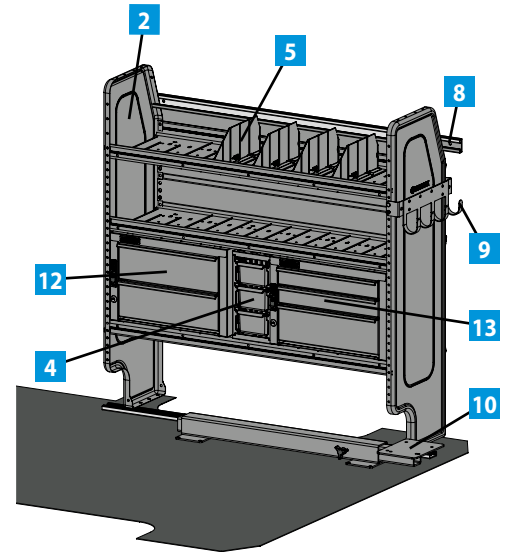
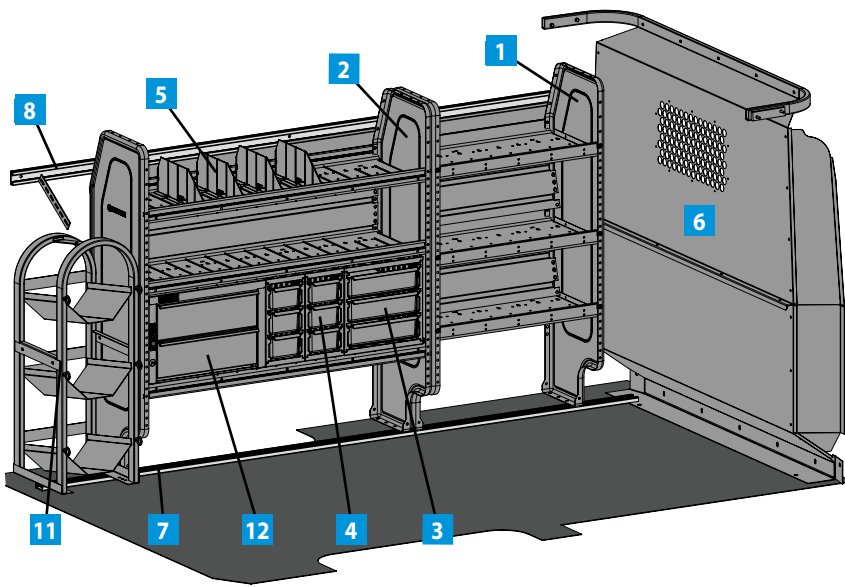


170" SPRINTER LOCKSMITH STARTER PACKAGE

4004H High Roof Package

Item	Model	Description	Qty.
1	DC12	3-Drawer Unit	1
2	DC6	3-Drawer Unit	4
3	HD-52SWP	4-Shelf Unit	1
4	MD602	Cabinet & Drawer Module	1
5	MD605	Cabinet & Drawer Module	1
6	MD610	Workbench Module	1
7	S1M2HC2	Partition/07/Sprinter	1
8	TA1	4-Hook Bar	1
9	17A	6-Shelf Catalog File	1
10	KMB36	Key Machine Base	1

Note: Illustrations and descriptions are for 2007 and newer Sprinter vehicles. Call Adrian Steel for package information for 2006 and older vehicles. 170" interior installed in a Mega High roof Sprinter will require OEM partition.

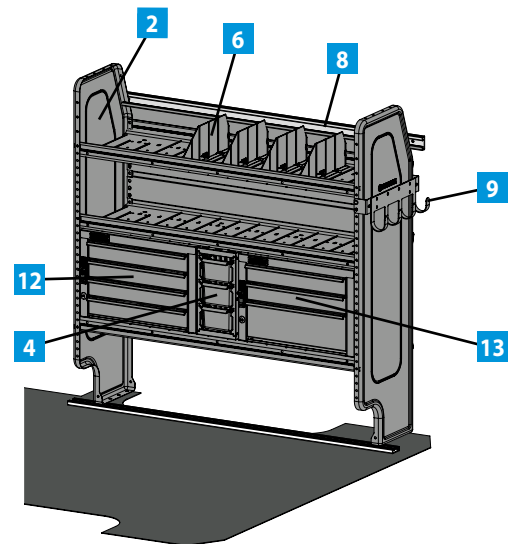
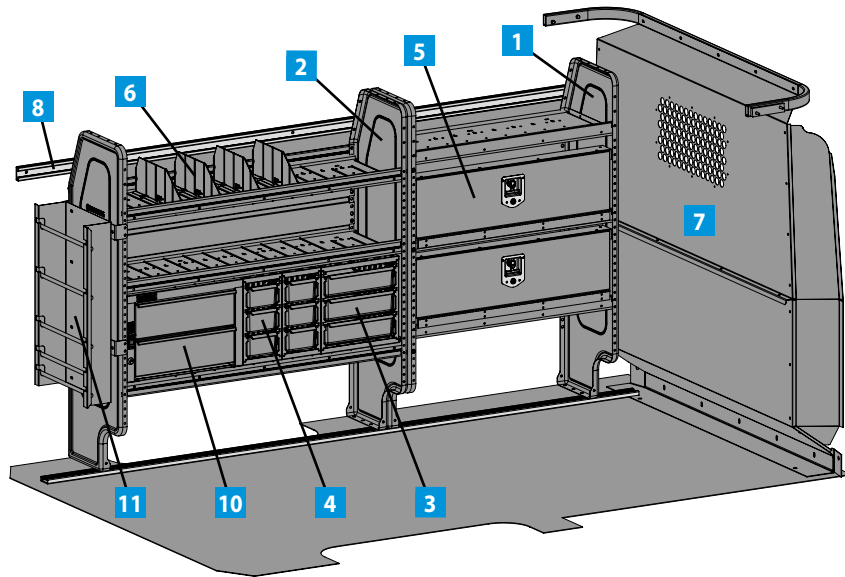


PLUMBING, HEATING, & A/C STARTER PACKAGE

4318MM

Item	Model	Description	Qty.
4318MM Plumbing, Heating, A/C Upfit			
1	AD26TC	Adjustable 3-Shelf Unit	1
2	AD44FP	Adjustable 3-Shelf Unit	2
3	DC12	3-Drawer Unit	1
4	DC6	3-Drawer Unit	3
5	DK4208	Door Kit w/ Open Back	2
6	DV14C8	14" Shelf Dividers	1
7	P2MMS	Steel Partition w/ Visibility	1
8	RKAWTR	Welded Tank Rack Rail Adapter	1

Item	Model	Description	Qty.
9	RKMM	Mounting Rail Kit	1
10	TA1WAD	4-Hook Bar w/ Adapter	1
11	VMA36	Vise Mount Assembly	1
12	WTR230150	Welded Tank Rack	1
13	19	2-Drawer Unit w/ Lock	2
14	919	3-Drawer Unit w/ Lock	1

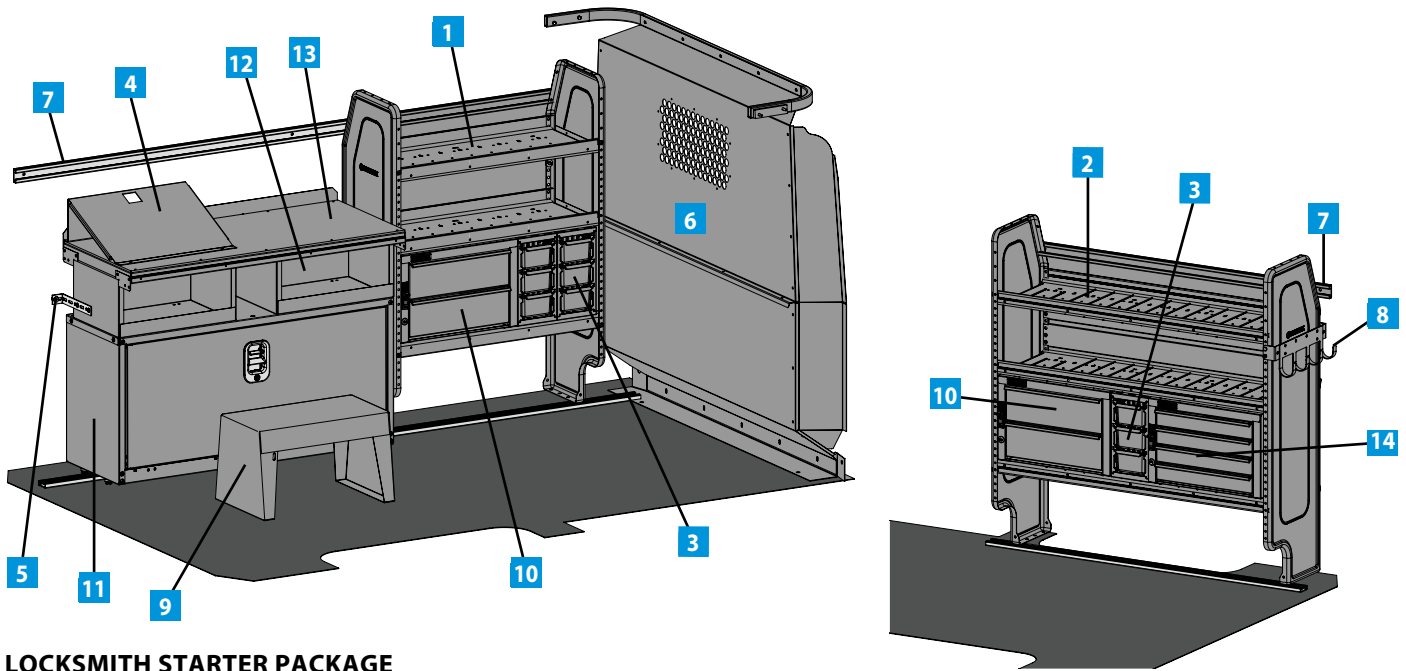


ELECTRICAL & GAS STARTER PACKAGE

4319MM

Item	Model	Description	Qty.
4319MM Electric-Gas Upfit			
1	AD32FP	Adjustable 3-Shelf Unit	1
2	AD44FP	Adjustable 3-Shelf Unit	2
3	DC12	3-Drawer Unit	1
4	DC6	3-Drawer Unit	3
5	DK3008	Door Kit	1
6	DK4208	Door Kit w/ Open Back	1
7	DV14C8	14" Shelf Dividers	1
8	P2MMS	Steel Partition w/ Visibility	1

Item	Model	Description	Qty.
9	RKMM	Mounting Rail Kit	1
10	TA1WAD	4-Hook Bar w/ Adapter	1
11	19	2-Drawer Unit w/ Lock	1
12	46106	WRH5 With AD Brackets	1
13	9	4-Drawer Unit w/ Lock	1
14	919	3-Drawer Unit w/ Lock	1

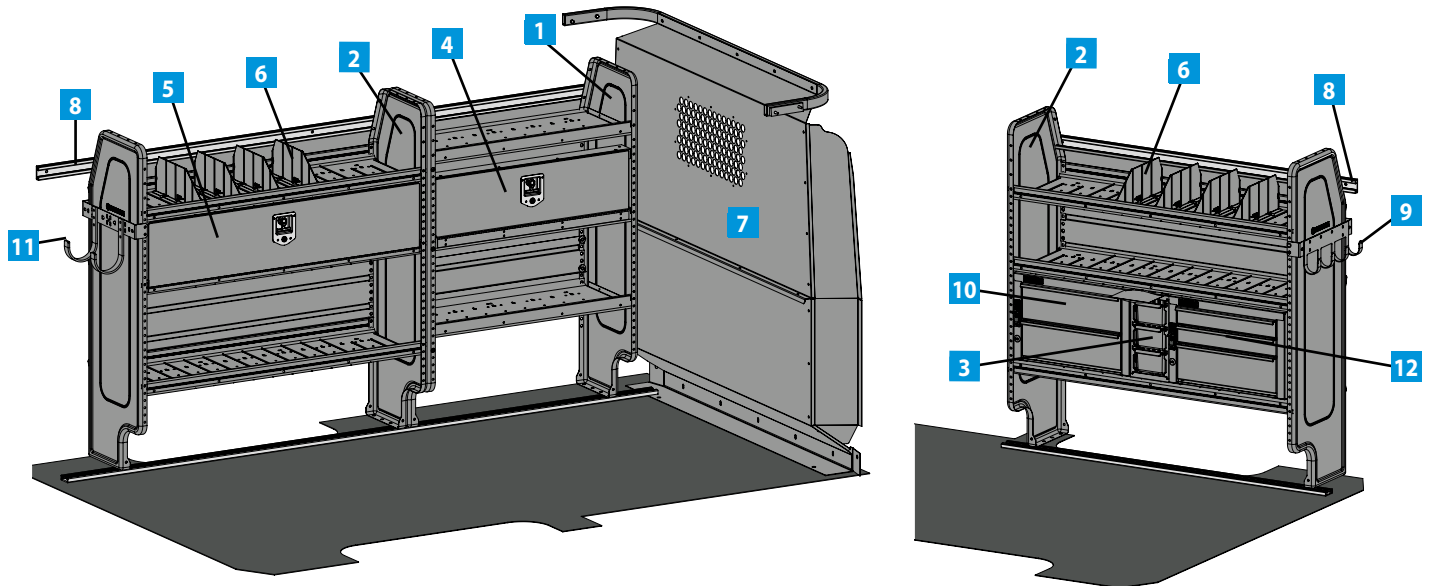


LOCKSMITH STARTER PACKAGE

2255MM

Item	Model	Description	Qty.
2255MM Locksmith Upfit			
1	AD32FP	Adjustable 3-Shelf Unit	1
2	AD44FP	Adjustable 3-Shelf Unit	1
3	DC6	3-Drawer Unit	3
4	KMB18	Key Machine Base	1
5	MB113	Mounting Bracket w/ Fasteners	2
6	P2MMS	Steel Partition w/ Visibility	1
7	RKMM	Mounting Rail Kit	1
8	TA1WAD	4-Hook Bar w/ Adapter	1

Item	Model	Description	Qty.
9	14	Step Stool	1
10	19	2-Drawer Unit w/ Lock	2
11	40H	Wheelwell Bin w/ Lock, ProMaster	1
12	46618	Riser Shelf Kit, MD608PM	2
13	54	Workbench Top	1
14	9	4-Drawer Unit w/ Lock	1



GENERAL SERVICE STARTER PACKAGE

4317MM

Item	Model	Description	Qty.
4317MM General Package Upfit			
1	AD32FP	Adjustable 3-Shelf Unit	1
2	AD44FP	Adjustable 3-Shelf Unit	2
3	DC6	3-Drawer Unit	1
4	DK3008	Door Kit	1
5	DK4208	Door Kit w/ Open Back	1
6	DV14C8	14" Shelf Dividers	1
7	P2MMS	Steel Partition w/ Visibility	1
8	RKMM	Mounting Rail Kit	1

Item	Model	Description	Qty.
9	TA1WAD	4-Hook Bar w/ Adapter	1
10	19	2-Drawer Unit w/ Lock	1
11	47939	2-Utility Hooks w/ End Panel Adapter	1
12	919	3-Drawer Unit w/ Lock	1

MODEL	PAGE	DESCRIPTION	MODEL	PAGE	DESCRIPTION	MODEL	PAGE	DESCRIPTION
ACT3	14	3-Place Aerosol Can Holder	SA-40	9	Triple Compartment Floor Drawer			Package
AD26TC	18	Adjustable 3-Shelf Unit	SAJ-10	9	Single Compartment Floor Drawer	4013S	14	General Service Starter Package
AD32FP	5	Adjustable 3-Shelf Unit	SAJ-20	9	Single Compartment Floor Drawer	4014H	14	Electrical Starter Package
AD44FP	5	Adjustable 3-Shelf Unit	SAJ-30	9	Double Compartment Floor Drawer	4014S	14	Electrical Starter
BH4	4	4-Slot Literature Rack	SAJ-40	9	Triple Compartment Floor Drawer	Package4015H	14	HVAC Starter Package
CB5	8	5-Slot Literature Rack	TA1	13	4-Hook Bar	4015S	14	HVAC Starter Package
CB7	8	7-Slot Literature Rack	TA1WAD	17	4-Hook Bar w/ Adapter	4016H	14	Locksmith Starter Package
CL1446R	7	Adjustable 3-Shelf Cabinet w/ Lock	TA2	17	Hard Hat Holder	4016S	14	Locksmith Starter Package
DC6	13	3-Drawer Unit	TH30	4	Tank Holder	4317MM	17	General Service Starter Package
DC12	13, 14	3-Drawer Unit	TH50	4	Tank Holder	4318MM	18	Plumbing, Heating, & A/C Starter Package
DDL61SPL	11	Passenger Side Drop Down Ladder Rack	UH50	13	Utility Hook	4319MM	18	Electrical & Gas Starter Package
DDL63SPL	11	Dual-Sided Drop Down Ladder Rack	VMA36	13	Vise Mount Assm.	46106	18	WRH5 w/ AD Brackets
DK4208	17	Door Kit w/ Open Back	WRH5	7	5-Bar Spool Holder	46618	17	Riser shelf Kit
DK532	6	Door Kit w/ Back Panel	WTRTRAY	13	Welded Tank Rack Shelf Kit	47939	17	2-Utility Hooks w/ End Panel Adapter
DK542	6, 14	Door Kit w/ Back Panel	WTR130250	8	Welded Tank Rack			
DK552	6, 14	Door Kit w/ Back Panel	WTR330	8	Welded Tank Rack			
DV14	13, 14	Shelf Divider	WTR430	13	Welded Tank Rack			
DV14C8	17	14" Shelf Dividers	1	7	Adjustable Single Shelf Cabinet w/Lock			
DV44U	9	Top Shelf Divider Kit	1A	7	Cabinet Shelf			
DV44U1	9	Top Shelf Divider	1BMMGL	12	Center Cross Bow Kit			
DV44U4	9	Top Shelf Divider Kit	2	7	4-Drawer Unit			
DV44L1	9	Lower Shelf Divider	4B	16	Parts Tray			
DV44L4	9	Lower Shelf Divider Kit	8	7	3-Drawer Unit			
DVJ9	9	Floor Drawer Divider	9	7	4-Drawer Unit w/ Lock			
DVJ19	9	Floor Drawer Divider	12	7	Adjustable Single Shelf Cabinet w/Lock			
DV9	9	Floor Drawer Divider	12A	7	Cabinet End Panel			
DV19	9	Floor Drawer Divider	14	17	Step Stool			
HD-425WP	14	HD Adj. Shelving	17A	14	6-Shelf Catalog File			
HD4459	8	4-Shelf Unit	19	7	2-Drawer Unit w/ Lock			
HD-525WP	14	HD Adj. Shelving	26	7	Drawer Divider Assembly			
JD42FP	7	3-Shelf Unit	28	13	LINBIN Blue 10x8x7			
JD52FP	7	3-Shelf Unit	28MM	12	2 Bar Utility Rack			
JD48FP	7	2-Shelf Unit	40H	17	Wheelwell Bin w/ Lock, ProMaster			
JD60FP	7	3-Shelf Unit	43	8, 14	3-Shelf Literature Rack			
KMB36	14	Key Machine Base	54	17	Workbench Top			
MB113	17	MOUNTING BRACKET W/ FASTENERS	61-MM	12	Single Grip Lock Ladder Rack			
PA5-2SPR	3	Partition Climate Control Kit	61TCSSUR	12	Utility Rack Add-On Kit			
PA7	4	Reflector Kit w/ Bracket	63-MM	12	Double Grip Lock Ladder Rack			
PA8	4	Fire Extinguisher	69-DDCS	11	Passenger Side Drop Down Ladder Rack Extension			
PA9	4	First Aid Tray	69-DDSS	11	Driver Side Drop Down Ladder Rack Extension			
PA10	4	File Holder	69TCL14	12	Extension Kit			
PDK2	3	Steel Partition Door Kit	70-1LR	11	Conduit Kit w/ Round End Caps			
PDK1	5	Steel Partition Door Kit	70-2LR	11	Conduit Kit w/ Round End Caps			
PPCL	8	Large Portable Parts Case	80-1LR	11	Aluminium Conduit Kit			
PPCS	8	Small Portable Parts Case	80-2LR	11	Aluminium Conduit Kit			
P2MMS	3	Steel Partition w/ Visibility	919	7, 13	3-Drawer Unit w/ Lock			
RKAWTR	18	Welded Tank Rack Rail Adapter	2255MM	17	Locksmith Starter Package			
RKMM	5	Mounting Rail Kit	4001H	16	General Service Starter Package			
S1M1C1SPS	3	Steel Partition Panel Kit	4002H	16	Electrical Starter Package			
S1M2C2SPS	3	Steel Partition w/ Visibility	4003H	16	HVAC Starter Package			
S1M2HC2	13, 14	Sprinter Partition	4004H	16	Locksmith Starter Package			
S1M2HC2SPS	3	Steel Partition w/ Visibility & Door Kit	4013H	14	General Service Starter			
S1M1C1SPH	3	Steel Partition Panel Kit						
S1M2C2SPH	3	Steel Partition w/ Visibility						
S1M2HC2SPH	3	Steel Partition w/ Visibility & Door Kit						
SA-10	9	Single Compartment Floor Drawer						
SA-20	9	Single Compartment Floor Drawer						



ADRIAN STEEL®

Cargo Management Solutions for Commercial Vehicles



QUALITY

- Our products are durable and reliable. Warranty claims are less than 1% of sales.
- Our warranty covers our products for three years or 36,000 miles.

INNOVATIVE PRODUCTS WITH FEATURES THAT MATTER

- Drawers that stay closed while in transit.
- ADseries truly adjustable shelving platform.
- Drop Down and Grip Lock ladder racks that load and unload the safe and right way.
- Interior ladder storage.
- Plug and Play accessories.
- Anti-slam drawer latches, and much more!

COMMITMENT

At Adrian Steel, we are committed to you beyond the upfit!

- A dedicated Customer Care Team at corporate headquarters.
- A network of highly qualified distributors to support you locally.
- Our commitment to provide the best cargo management solutions in North America.



EXPERIENCE

- **Over One Million vans upfitted**, and counting! It's a fact that an organized vehicle increases work flow efficiencies and reduces inventory damages.
- Recognized as a National Truck Equipment Association MVP.

SERVICE

- Adrian Steel Products can be purchased throughout North America at authorized Adrian Steel distributors.
- Adrian Steel Customer Service Representatives are available M-F, 8am - 5pm EST at **1-800-677-2726**.
- E-mail us at info@adriansteel.com with questions, comments and feedback.
- Visit **AdrianSteel.com** for the most up-to-date product information, distributor locator, product catalogs, videos and more.

adriansteel.com

800-677-2726

906 James St.
Adrian, MI 49221